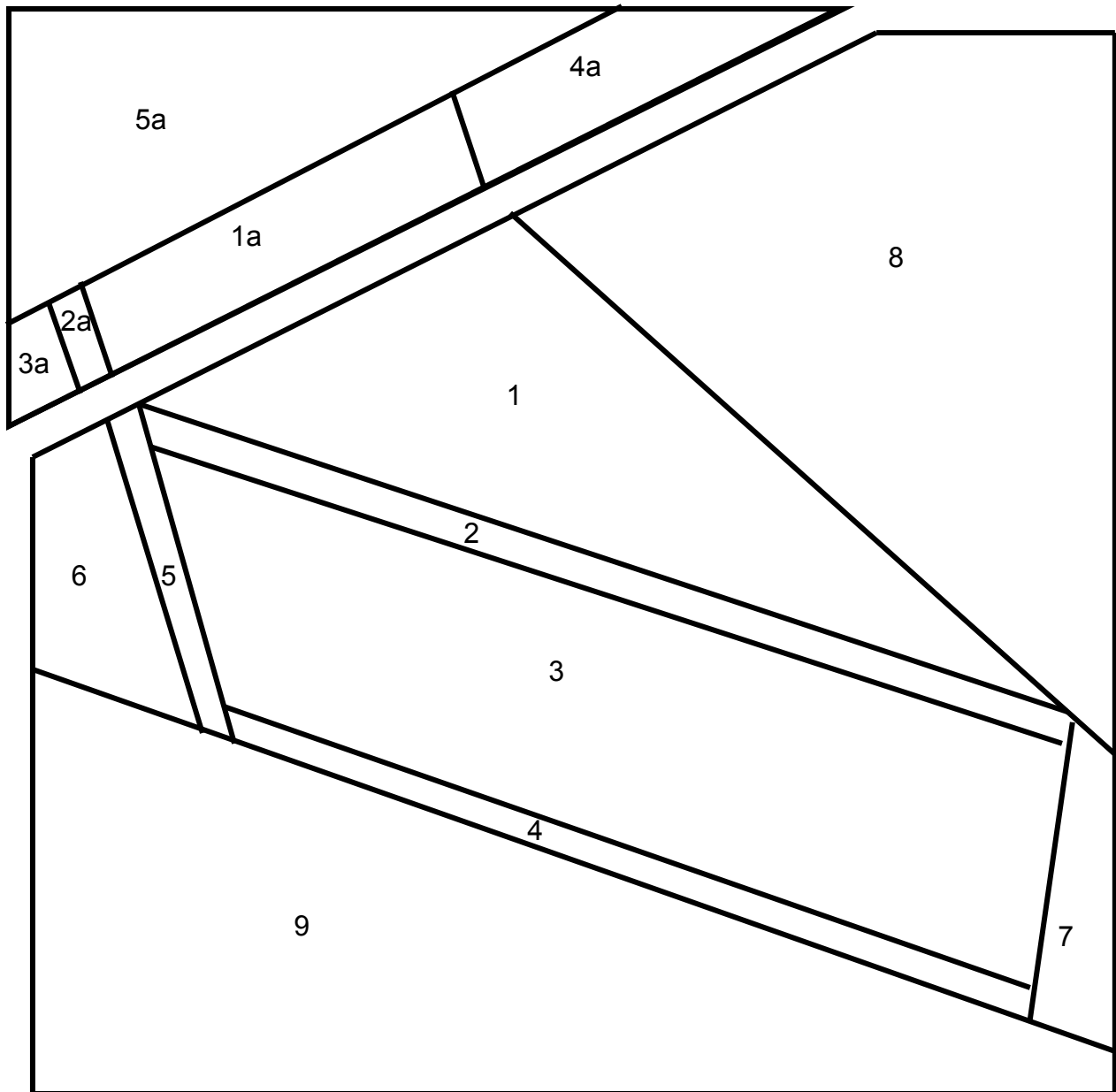


BLOCK OF THE MONTH - November: "Piece of Pie" - Dayna Ragland



CUTTING DIRECTIONS:

Background: Cream: 3a, 4a, 5a, 6,7,8,and 9

Top Pie Crust: 1 and 1a

Side and Bottom Pie Crust: 2, 2a, 4 and 5

Pie Filling: 3

If making a pumpkin pie or cheesecake, 1 and 2 would be the same fabric as 3 (no upper crust).

Use your imagination - make it chocolate mousse with a chocolate crust. Use apple fabric for the filling part, whatever!!

Adapted from McCall's Quick Quilts July 2004, for personal use only.

PIECING DIRECTIONS:

There are 2 pieces to this block. Paper piece them first, then piece them together. When paper piecing, the fabric will be placed on the back side of the paper, facing away from the paper, thus the finished product will be a mirror-image of the printed design. There are no seam allowances provided; make sure the fabric is large enough to allow for seams. Set your stitch length as small as possible to cause perforations in the paper.

1. Place the fabric for piece 1 on the back side of the paper with the back of the fabric against the paper. Pin in place from the paper side. With paper side up, sew outside the lines for piece 1. This is important to keep the fabric in place with-

out having the stitches show later.

2. Fold the paper onto itself on the line between piece 1 & 2. Use a ruler to measure $\frac{1}{4}$ " away from the fold line, and cut to create the edge of piece 1 with seam allowance.
3. Place the fabric for piece 2 on this newly cut fabric 1 with right sides together, and pin in place from the paper side. With paper side up, sew along the line between piece 1 & 2. Flip fabric 2 over & iron into place.
4. Fold the paper onto itself on the line between piece 2 & 3. Use a ruler to measure $\frac{1}{4}$ " away from the fold line, & cut to create the edge of piece 2 with seam allowance.
5. Continue with the remaining pieces: sew, then flip, & iron into place, always cutting $\frac{1}{4}$ " away from the line. Do this for the smaller section as well (1a-5a).
6. When both sections are pieced, trim $\frac{1}{4}$ " away from outer line to create seam allowance for the block.
7. Matching the pie pieces together, sew the 2 sections together to finish the pie.
8. Square up the block. It should be $7\frac{1}{2}$ " x $7\frac{1}{2}$ ", but measure it.
9. **Add borders of background fabric to make the block $10\frac{1}{2}$ x $10\frac{1}{2}$.**